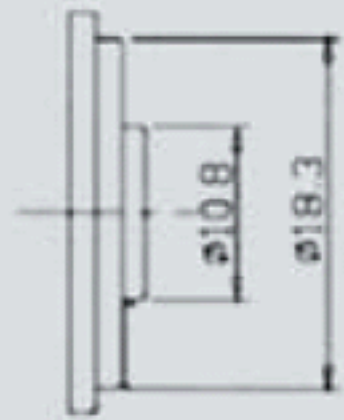
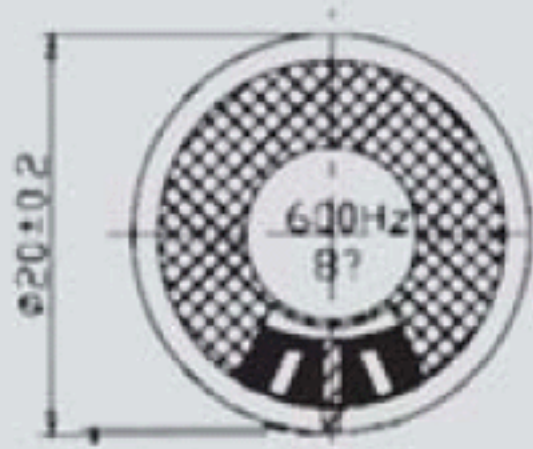


YD2008



DIMENSIONS

UNIT:mm

Tolerance: ± 0.5 mm

SPECIFICATIONS

| | | |
|--|--------------------|------------------|
| Rated Impedance | Ω | $8 \pm 15\%$ |
| Rated(Max)Power | W | 0.4/0.8 |
| Resonant Frequency | Hz | $600 \pm 20\%$ |
| Rated Freq.Range | Hz | $f_0 \sim 20000$ |
| Sound Pressure Level 0.1W/0.1m(AVG at 0.8,1.0,1.2,1.5)kHz | dB | 85 ± 3 |
| Weight | g | 2.4 |
| Operating Temperature | $^{\circ}\text{C}$ | $-10 \sim +40$ |

