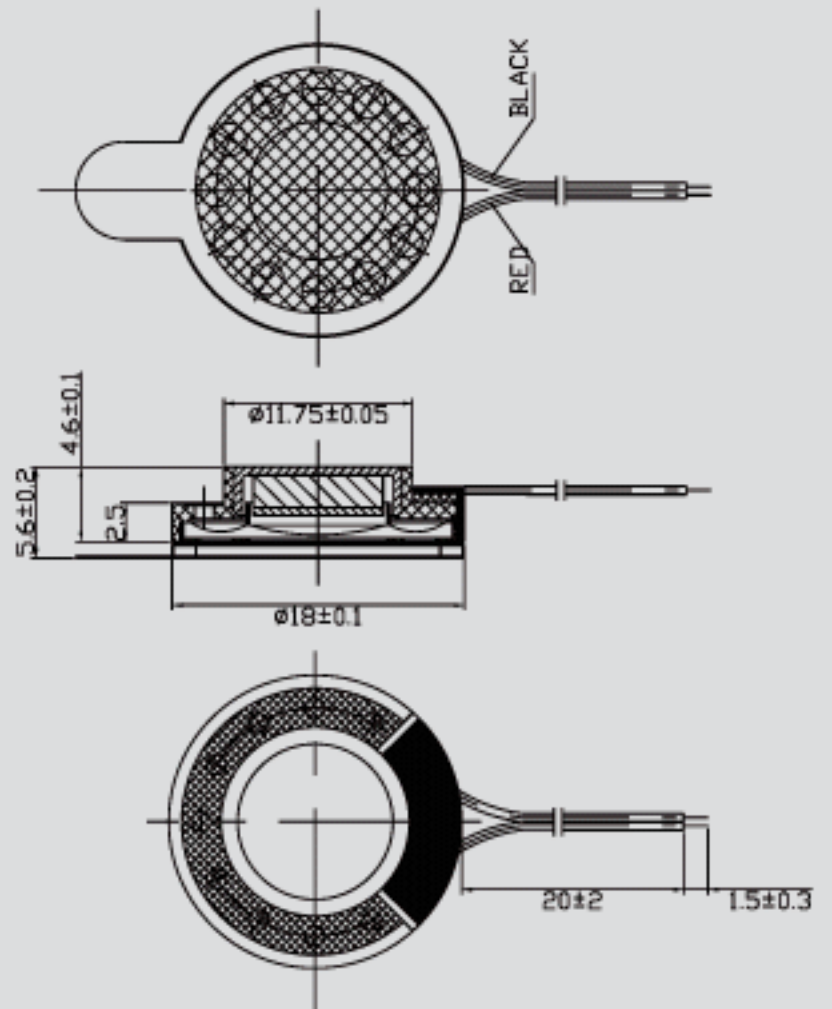
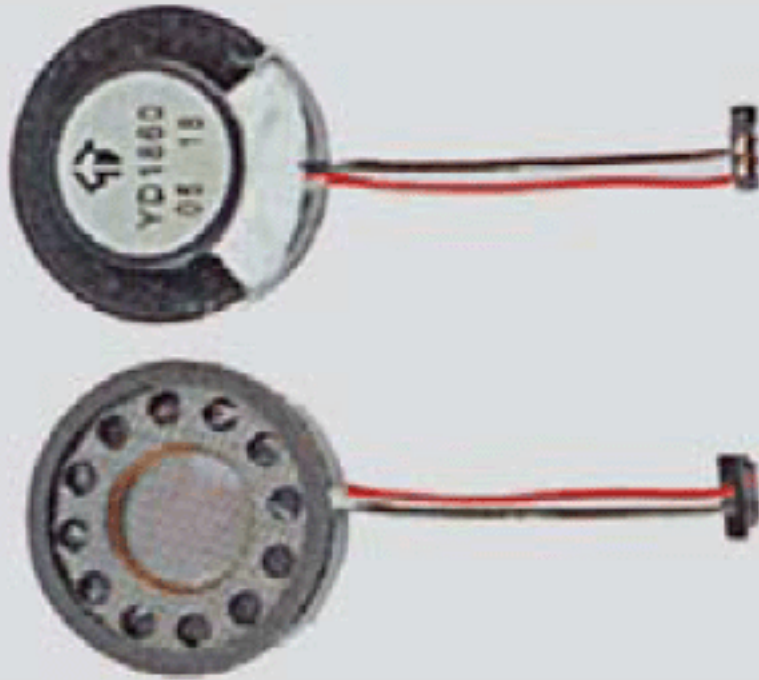


YD1860



Rated input
 Max input
 Frequency range
 Resonance frequency
 Impedance@1KHz
 SPL@0.8,1.0,1.2,1.5KHz
 (0.1W/0.1m)

0.5W
 0.7W
 F_o~20KHz
 600 ± 20%Hz
 8 ± 20% Ω
 87 ± 3dB

