

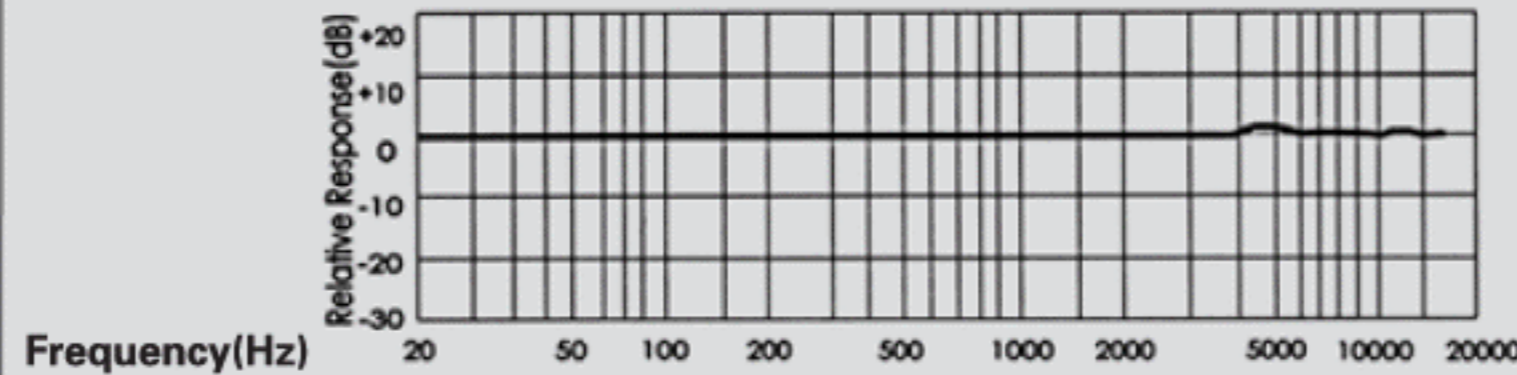
OB-3515

Omnidirectional Back Electret Condenser Microphone

Appearance



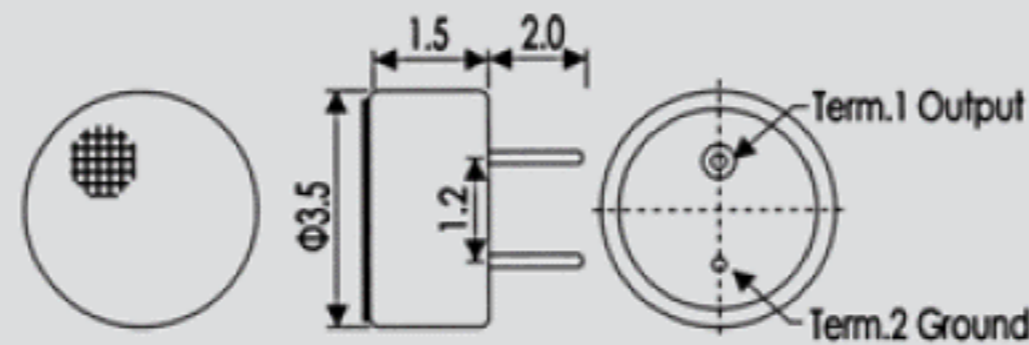
Typical frequency response curve



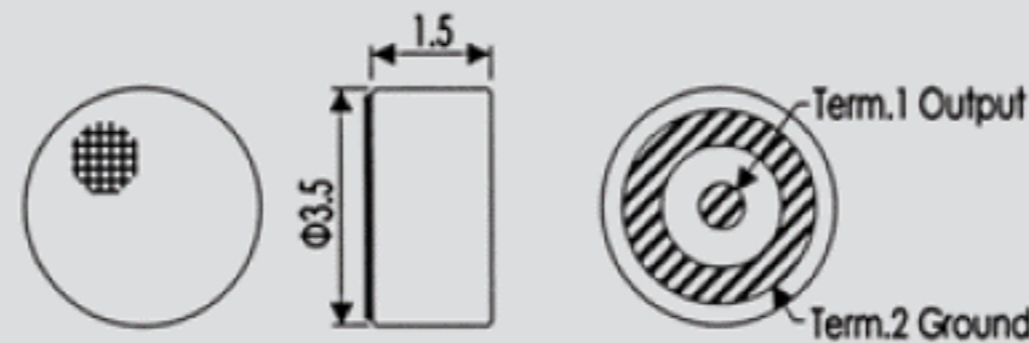
Dimensional drawing

Unit: mm

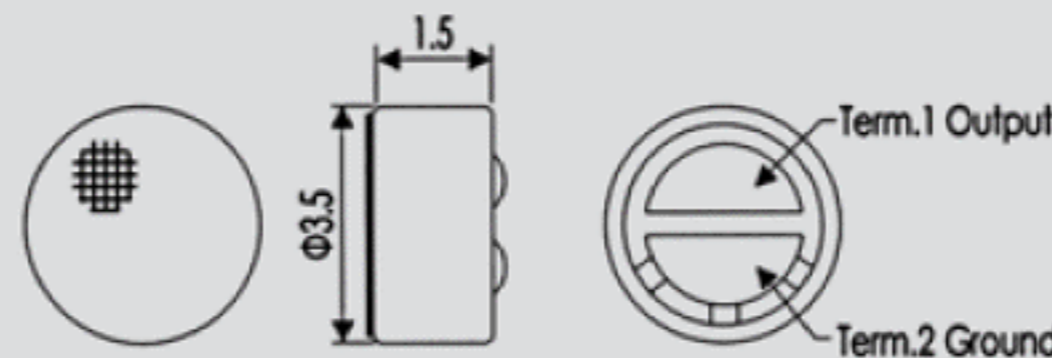
Pin type



Solderless



Lead-wire



Shape size

Φ3.5X h1.5

Sensitivity range

$V_s=2.0v$ $R_L=2.2K\Omega$	-46 ± 3dB	-54 ± 3dB
	-50 ± 3dB	-58 ± 3dB

- Very small, thin type omni-directional microphone
- Most suited to products having limited Space
- To design for high resistance to vibrations
- Capacitor inside:
 10pF (DECT, PHS, PCN, PCS, etc.)
 33pF (GSM, PDS, etc.)
 10pF+33pF (DECT, PHS, PCN, GSM, PDS, etc.)

Specification

- Sensitivity**
See above (0dB = 1V / Pa, 1kHz)
- Impedance**
Less than 2.2K Ω
- Directivity**
Omni-directional
- Frequency**
20-16,000Hz
- Max. operation voltage**
10.0V
- Standard Operation voltage**
2.0V
- Current consumption**
Max. 0.5mA
- Sensitivity reduction**
Within -3dB at 1.5V
- S/N ratio**
More than 56dB