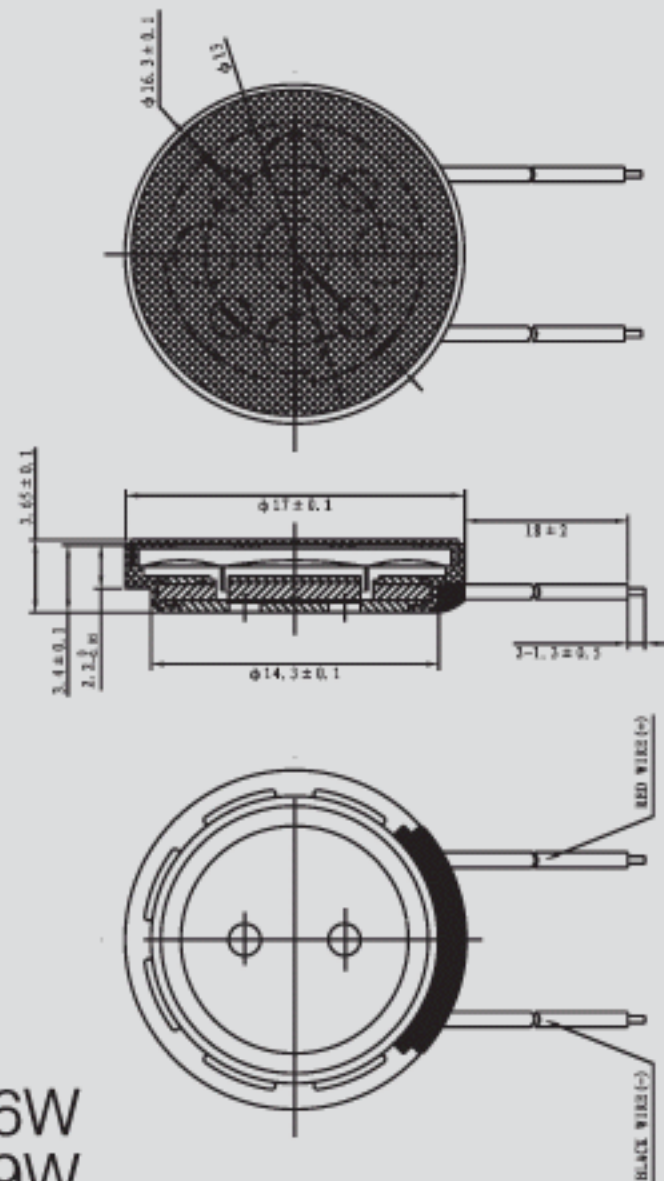


MRS1761



Rated input
 Max input
 Frequency range
 Resonance frequency
 Impedance@1KHz
 SPL@0.8,1.0,1.2,1.5KHz
 (0.1W/0.1m)
 Frequency range
 Impedance@1 KHz
 SPL@1 kHz(100mv)

0.6W
 0.9W
 Fo~20KHz
 $650 \pm 20\%$ Hz
 $8 \pm 15\%$ Ω

 89 ± 3 dB
 300~3400HZ
 $8 \pm 15\%$ Ω
 121 ± 3 dB

