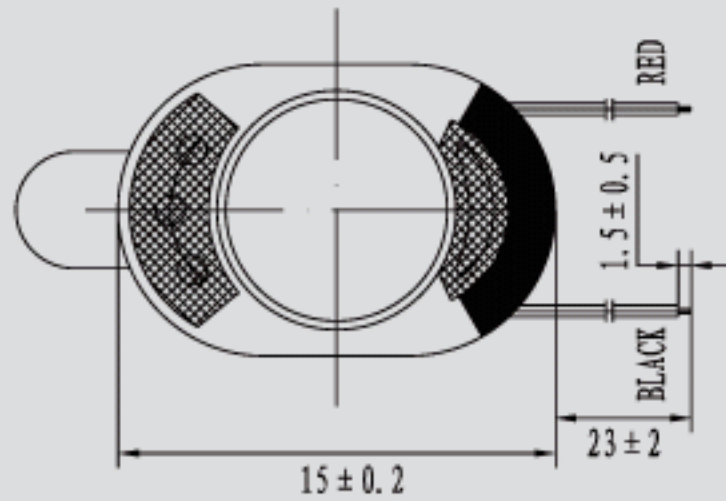
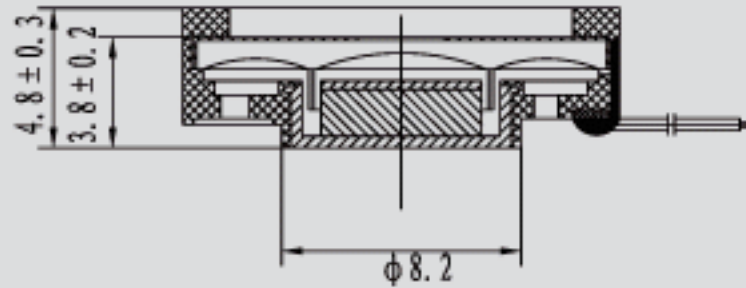
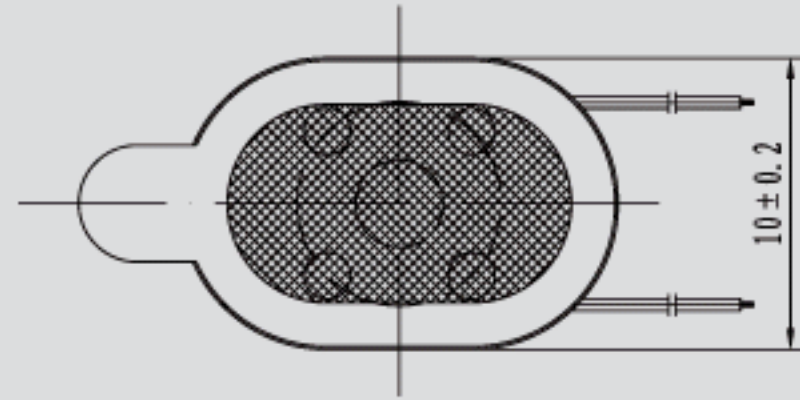


# MRJ1015



Rated input  
 Maximum input  
 Frequency range  
 Resonance frequency  
 Impedance@1KHz  
 SPL@0.8, 1.0, 1.2, 1.5KHz  
 (0.1W/0.1m)

0.5W  
 0.8W  
 F<sub>0</sub>~20KHz  
 1000 ± 20%Hz  
 8 ± 15% Ω  
 87 ± 3dB

