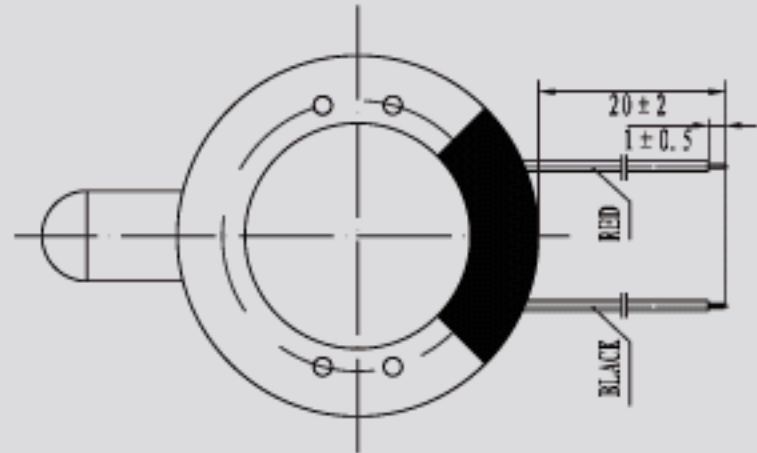
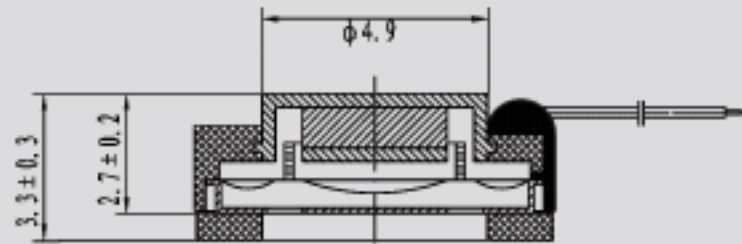
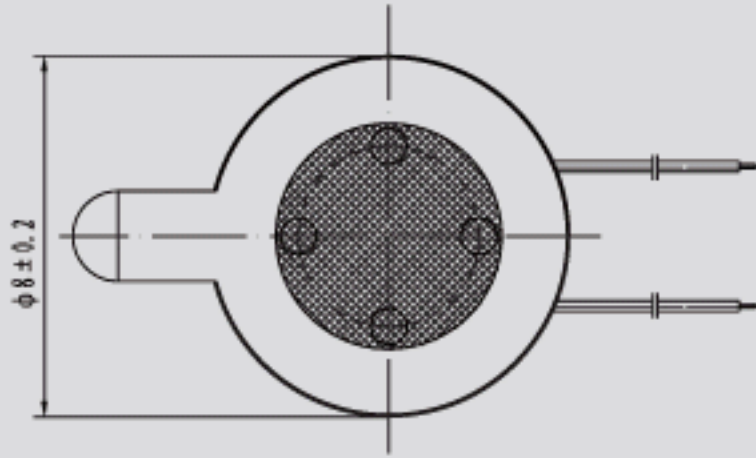


MR0850



Rated input
Max input
Frequency range
Impedance@1KHz
SPL@1kHz(179mv)

5mW
10mW
300~3400Hz
 $32 \pm 15\% \Omega$
 $110 \pm 3\text{dB}$

